

Surface Mounting Chip LED

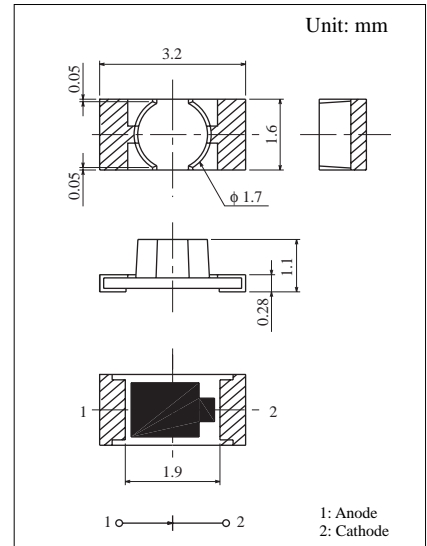
Through-The-Board Type

Conventional Part No. Global Part No. Lighting Color
 LNJ211R8ARU LNJ211R8ARU Red
 LNJ311G8TRU LNJ311G8TRU Green
 LNJ411K8YRU LNJ411K8YRU Amber

■ Absolute Maximum Ratings ($T_a = 25^\circ\text{C}$)

| Lighting Color | P_D (mW) | I_F (mA) | I_{FP} (mA)* | V_R (V) | T_{opr} ($^\circ\text{C}$) | T_{stg} ($^\circ\text{C}$) |
|----------------|------------|------------|----------------|-----------|--------------------------------|--------------------------------|
| Red | 60 | 20 | 100 | 3 | -30 ~ +85 | -40 ~ +100 |
| Green | 60 | 20 | 100 | 4 | -30 ~ +85 | -40 ~ +100 |
| Amber | 60 | 20 | 100 | 4 | -30 ~ +85 | -40 ~ +100 |

I_{FP} の条件は $duty$ 10% Pulse width 1 msec. The condition of I_{FP} is duty 10%, Pulse width 1 msec



■ Electro-Optical Characteristics ($T_a = 25^\circ\text{C}$)

| Conventional Part No. | Lighting Color | Lens Color | I_O | | I_F | V_F | | λ_p | $\Delta\lambda$ | I_F | I_R | |
|-----------------------|----------------|-----------------|-------|------|-------|-------|-----|-------------|-----------------|-------|---------------|-------|
| | | | Typ | Min | | Typ | Max | | | | Max | V_R |
| LNJ211R8ARU | Red | Red Diffused | 7.0 | 2.3 | 10 | 1.72 | 2.5 | 660 | 20 | 10 | 100 | 3 |
| LNJ311G8TRU | Green | Green Diffused | 5.5 | 1.8 | 10 | 2.03 | 2.6 | 565 | 30 | 10 | 10 | 4 |
| LNJ411K8YRU | Amber | Yellow Diffused | 2.2 | 0.75 | 10 | 2.0 | 2.6 | 590 | 30 | 10 | 10 | 4 |
| Unit | — | — | mcd | mcd | mA | V | V | nm | nm | mA | μA | V |

